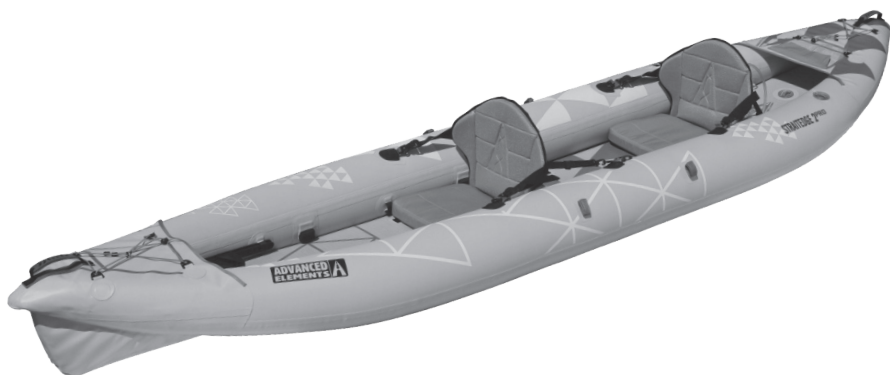




THE EVOLUTION OF INFLATABLE KAYAKS

STRAITEDGE2™ PRO INFLATABLE KAYAK

OWNER'S MANUAL
MODEL AE3027



1 or 2 PERSON KAYAK

IMPORTANT

IMPORTANT! PLEASE READ THIS MANUAL CAREFULLY BEFORE PROCEEDING.
AFTER READING THIS MANUAL, SAVE THESE INSTRUCTIONS FOR FUTURE REFERENCE.

ADVANCED ELEMENTS®

THE EVOLUTION OF INFLATABLE KAYAKS

INTRODUCTION

Designed in California, our goal at Advanced Elements is to develop new and unique paddlesports products that enhance our customers' outdoor experience. Our focus is on designing and manufacturing "Inflatable kayaks with cutting edge technology" and providing excellent customer service. We are deep rooted in product development with patented technology, striving to develop inflatable kayaks, iSUPs, and paddlesports accessories that excel in performance, quality, and portability. All of our products have been designed to give paddlers the tools they need at the value that they deserve.

We feel that it is extremely important to make sure that our customers are having the best experience possible. One of the ways we do this is by a passionate focus on customer support. It is the feedback from our customers that has allowed us to excel and continue to grow over the years.

Our offices, near San Francisco California, are not only where we conceive of and design our innovative products, but also where you will find our excellent Customer Service team that is ready to answer any questions you might have about our products and offer premier product support.

We hope to see you someday soon, on the water!

Sincerely,

The Advanced Elements Team



INFLATABLE KAYAKS WITH CUTTING
EDGE TECHNOLOGY

TABLE OF CONTENT

1. Caution – Safety Warning	4
1.1 Boating Safety	5
2. Specifications	6
2.1 Capacity	6
2.2 Features	6
3. Assembly /Inflating/Deflation Instruction	7
3.1 Assembly	7
3.2 Understanding Your Valves	7
3.3 Inflation	9
3.4 Over Inflation and Temperature Regulation	10
3.5 Deflation	11
3.6 Folding	11
4. Guidelines For Usage	12
5. Proper Care And Storage	12
6. Repairs	13
6.1 Repairing Small Punctures And Cuts Using The Peel-And-Stick Patch	13
6.2 Repairing Pinholes	13
7. Troubleshooting	14
Manufacturer's Statement Of Origin (MSO)	15
Declaration Of Conformity	16
Limited Warranty	17
Section 2 : Français	

1. CAUTION – SAFETY WARNING

Users of this product agree by their use to accept the inherent risks involved in this paddlesports activity and agree to follow all instructions, cautions, and warnings carefully before using this kayak.

(PLEASE READ CAUTION STATEMENT CAREFULLY)

⚠ WARNING

Failure to follow these warnings could cause SEVERE INJURY or DEATH

- **CONSULT WITH A PHYSICIAN** prior to beginning paddlesport training. Paddlesports can be very dangerous and physically demanding.
- **OBTAIN PADDLESORT TRAINING** specific to this type of craft. Do not exceed your paddling ability – be honest with yourself.
- **WEAR U.S. COAST GUARD APPROVED LIFE JACKETS** and, where appropriate, wear a helmet.
- **NEVER PADDLE ALONE.**
- **CHECK WEATHER FORECAST BEFORE DEPARTING DOCK** and heed all weather advisories.
 - **DRESS APPROPRIATELY** for the weather conditions, as cold water and/or cold weather can cause hypothermia.
 - **DO NOT PADDLE IN FLOOD CONDITIONS.**
- **BE AWARE OF THE WATER CONDITIONS**, including appropriate water levels, tidal changes, dangerous currents and other water hazards. Always scout unfamiliar waters and portage where appropriate.
- **NEVER PADDLE WHILE UNDER THE INFLUENCE** of drugs or alcohol.
- **KEEP PROPER LOOKOUT AND SAFE DISTANCE** from other vessels and hazards at all times.
- **OBEY APPLICABLE BOATING LAWS.**
- **READ THE OWNER'S MANUAL** and follow all recommendations for the use of this product. Consult the manufacturer prior to adding aftermarket equipment and never obstruct entry or exit to the craft.



Advanced Elements, inc.
TOLL FREE 866-262-9076




- Not intended for Commercial Use.
- Never use a compressor or compressed air to inflate as it could result in damage or injury.
- Do not transport a fully inflated boat or leave it on the beach. Heat from the sun or an increase in elevation can lead to over-inflation and damage.
- Do not over-inflate, as it can damage the kayak or cause injury.

Please read this entire manual for additional safety information. Please pay close attention to items marked DANGER, WARNING, CAUTION, IMPORTANT, NOTICE, NEVER, and ALWAYS.

1.1 BOATING SAFETY



This is the safety alert symbol. It is used to alert you to potential personal injury hazards. Obey all safety messages that follow this symbol to avoid possible injury or death.

	<p>Indicates an imminently hazardous situation which, if not avoided, will result in death or serious injury or substantial property damage.</p>
	<p>Indicates a potentially hazardous situation which, if not avoided, could result in death or serious injury or property damage.</p>
	<p>Indicates a potentially hazardous situation which, if not avoided, may result in property damage.</p>
<p>CAUTION</p>	<p>Used without the safety alert symbol indicates a potentially hazardous situation, which, if not avoided, may result in property damage.</p>
<p>NOTICE</p>	<p>Indicates installation, operation or maintenance information which is important but not hazard-related.</p>

The precautions listed in this manual and on the craft are not all-inclusive. If a procedure, method, tool or part is not specifically recommended, you must satisfy yourself that it is safe for you and others, and that the craft will not be damaged or made unsafe as a result of your decision. REMEMBER – always use common sense when paddling YOUR KAYAK!

2. SPECIFICATIONS

Dimensions:

Length: 400 cm (13 ft)

Width: 89 cm (35 in)

Weight: 41 lbs (18 kg)

Max. Person Capacity: 500 lbs (227 kg)

Max. Persons & Gear Capacity: 500 lbs (227 kg)

Recommended Pressure:

Main chambers: 2.25 psi (0.16 bar)

Floor chamber: 6.0 psi (0.41 bar)



2.1 CAPACITY

The person/load capacity is determined by the availability of proper seating on the kayak. Acceptable seating determines the number of passengers, not the overall load capacity.

MAXIMUM CAPACITIES NOT INTENDED FOR MECHANICAL PROPULSION	CAPACITÉS MAXIMALES NON DESTINÉ À LA PROPULSION MÉCANIQUE
2 PERSON OR 500 LBS.	2 PERSONNE OU 227 kg
500 LBS PERSON, GEAR PRESSURE = 2.25 psi (main chambers)	227 kg PERSONNE, ÉQUIPEMENT PRESSION = 2.25 psi (chambres à air principales)
MANUFACTURER: ADVANCED ELEMENTS, INC. CONCORD, CA USA 94524	FABRICANT: ADVANCED ELEMENTS INC., CONCORD, CA 94524 ÉTATS-UNIS
MODEL AE3027 - STRAIGHTEDGE™ PRO KAYAK	MODÈLE AE3027 - KAYAK STRAIGHTEDGE™ PRO
THIS BOAT COMPLES WITH NMMA STANDARDS OF EFFECT ON THE DATE OF CERTIFICATION	CE BÂTEAU EST CONFORME AUX NORMES DE LA NATIONAL MARINE MANUFACTURERS ASSOCIATION (NMMA) EN VIGUEUR À LA DATE DE LA CERTIFICATION
NATIONAL MARINE MANUFACTURERS ASSOCIATION	NATIONAL MARINE MANUFACTURERS ASSOCIATION
COMPLIANCE WITH ISO 6185-1 TYPE II, B 0123	CONFORME À LA NORME ISO 6185-1 TYPE III, B 0123
2 + = 227 kg ⇔ • ⇐ 0,16 bar (main chambers)	2 + = 500 lbs ⇔ • ⇐ 0,16 bar (chambres à air principales)

⚠ WARNING: Do not exceed the certified maximum capacities under any circumstances. Overloading will reduce freeboard and increase the likelihood of swamping, especially in heavy seas. Overloading causes handling to become sluggish, making it difficult to react quickly.

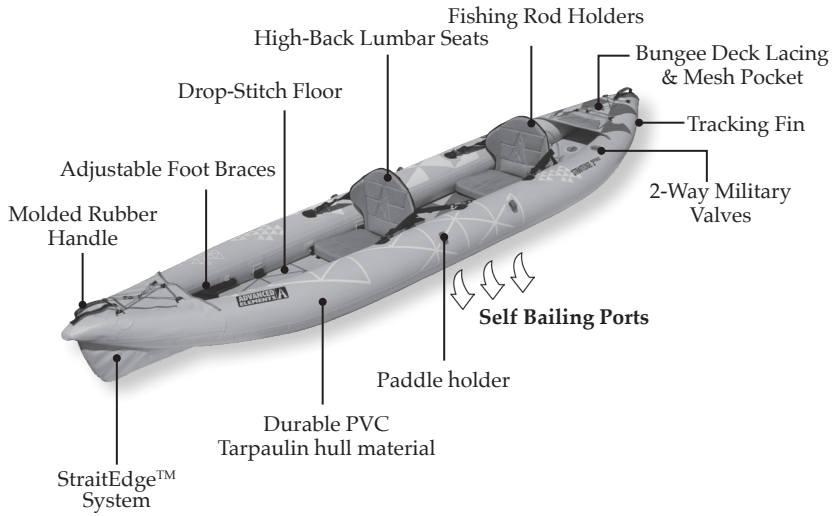
2.2 FEATURES

Hull Design: Drop-stitch floor and aluminum rib-frame technology provide excellent performance.

Durable: Heavy-Duty PVC tarpaulin hull and 3-chamber construction

Stable: 35" width provides increased stability

Versatile: set-up as self-bailing in bigger waves and close ports in calm or cold water.



3. ASSEMBLY/INFLATING/DEFLATION INSTRUCTION

3.1 ASSEMBLY

Your kayak comes from the factory pre-assembled. The only assembly you should need to do is attach the adjustable seats, foot pegs, and fin. Follow the instructions and figures on the next pages for installing the foot pegs and tracking fin.

3.2 UNDERSTANDING YOUR VALVES

Advanced Elements StraitEdge2™ kayak uses the following valves. The 2-way military valve has the function and durability of other military type valves and is compatible with most standard pumps. The following figures will have details on how to operate the valves.

TO INFLATE: use finger to push in center stem, rotate ¼ turn, and allow stem to spring up into the up/outward position.

TO DEFLATE: Use finger to push in center stem and rotate ¼ turn to lock stem down/inward.

PUSH IN CENTER STEM WITH FINGER & TURN

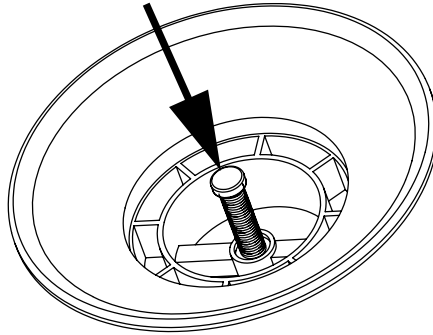


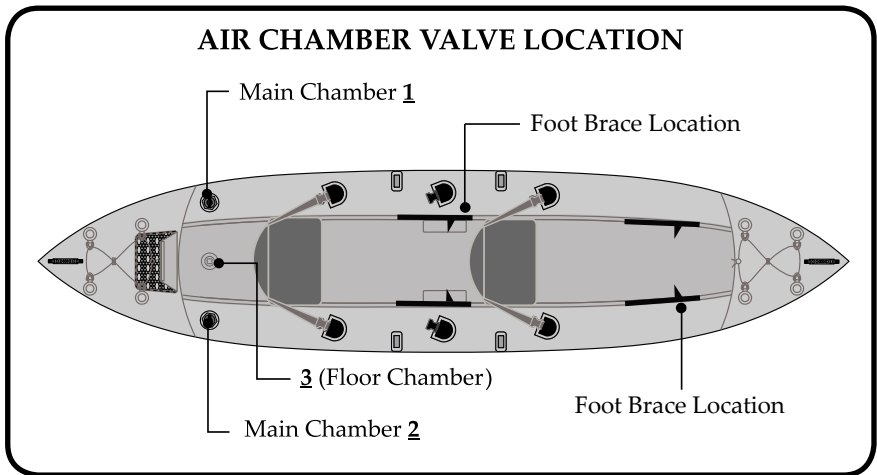
Figure 1. Inflate/ Deflate of 2-way Military Valve

How the 2-way Military valve works

When the valve is in the inflate (up/outward) position, the air being pumped in pushes the spring-loaded plunger open, allowing air to enter the air chamber, but not letting it escape. When the valve is in the deflate (down/inward) position, the spring loaded plunger is wide open allowing the air to come rushing out of the air chamber. If the valve is in the inflate position, the valve's plunger stem will be flush with the rim of the valve. If the valve is in the deflate position, the valve's plunger stem will be inside, or lower than the rim of the valve. To change the valve from the inflate position to the deflate position, simply use your finger to press the valve plunger stem down/inward, and give it a $\frac{1}{4}$ turn. This will lock the plunger open and allow the air to rush out. Use the same procedure in reverse to unlock the valve plunger, allowing it to spring up into the inflate position.

Special note: If you are using a 12v inflator, like those that come with most inflatable mattresses or those that plug into car cigarette lighters, you may need to have the valve in the deflate (down/inward) position because those types of pumps typically do not provide enough air pressure to press the plunger open to allow air into the air chamber. Additionally, 12v inflators do not provide enough pressure to fully inflate the kayak, so you will need a secondary pump to finish the job

3.3 INFLATION



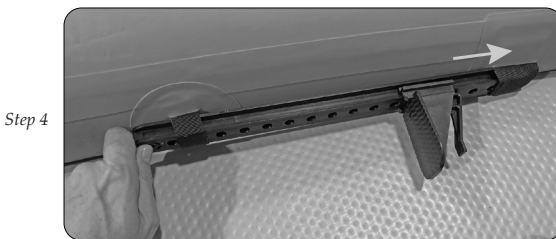
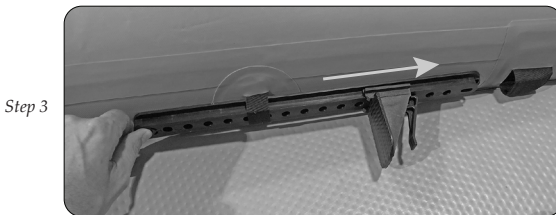
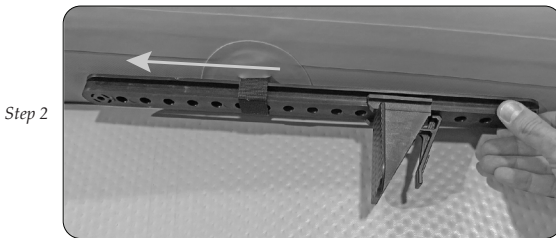
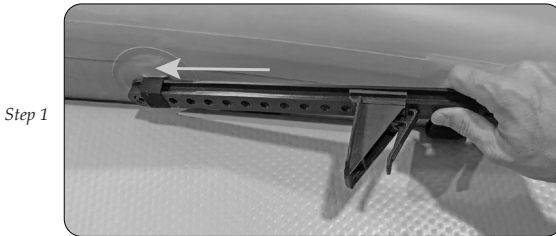
IMPORTANT: Inflate your kayak in the following order. **Failure to follow these instructions may cause damage to your kayak.** Do not over inflate. Be sure to read directions on operating the valves in the section “Understanding Your Valves”.

1. Begin by unfolding the kayak and laying it out flat. Insert foot brace tracks into webbing mounting pockets located on kayak main chambers before inflation. Orient each of the foot pegs so that the adjustment tab on the foot plate is facing towards the bow of the kayak. First insert the foot peg track into the webbing loop nearest to the seating area and the insert the other end of the track into the webbing pocket at the bow of the kayak. (See figures, Steps 1-4 on next page)
2. Check to be sure all 3 valve plungers are in the UP or Inflate position. (See figure 1). Using the adaptor located in your repair kit, inflate Main Chamber 1 until firm to the touch (**2.25 psi MAX**).
3. Inflate Main Chamber 2 until firm to the touch (**2.25 psi MAX**).
4. Inflate floor Chamber 3 until firm (**4-6 psi MAX**).
5. Make sure all valves are closed tightly and properly.
6. Attach kayak seats to the kayak using the large buckles and adjust for desired support. To keep seat backrest upright, you can adjust and clip the smaller seat straps to the d-rings on the kayak directly behind the seat position.
7. Adjust foot pegs for desired bracing by depressing the tabs on the foot plates and sliding along tracks.
8. If paddling flat water, attach tracking fin to mount on bottom of kayak. If paddling whitewater, leave fin off of kayak.

3.4 OVER INFLATION AND TEMPERATURE REGULATION

⚠ CAUTION: Water temperature and weather will affect the air pressure of the kayak. In cold weather and water your kayak will lose some pressure. If this occurs, you may want to add a bit more air to the kayak to improve performance. In hot weather or prolonged sunlight, the air inside the kayak will expand. You must let some air out of the appropriate chambers to prevent the kayak from failing due to overpressure. You should avoid exposing your kayak to extreme temperatures (hot or cold).

Foot Brace Installation Figures



3.5 DEFLATION

1. Remove the caps from all 3 chambers, push valve stems inward and rotate to the deflate position. (See Figure 1).
2. Remove foot braces and seats.
3. Once the chambers are deflated you can use your pump to vacuum out any additional air for improved folding.

3.6 FOLDING

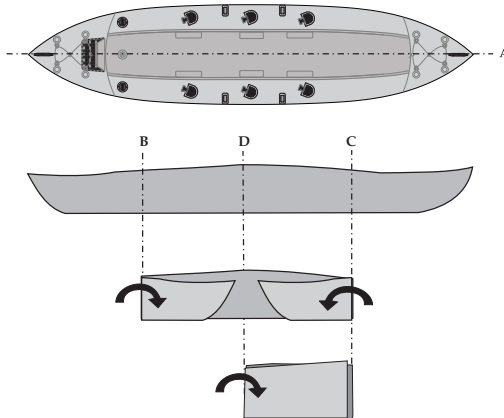
Caution: When the kayak is deflated and folded up, creased edge points at the ends of the folds (pictured right) can be vulnerable. If rubbed hard enough on an abrasive surface it can create a small rub hole in the material and a potential air leak.

When the kayak is inflated, or even unfolded and deflated, this is not a concern.



NOTICE: Reverse your pump to completely deflate all chambers.

1. Completely deflate all air chambers, thoroughly dry kayak and remove the seats and foot pegs.
2. Fold in half, down the center, lengthwise.
3. Fold into 4 equal sections.
4. Place into duffel bag.



4. GUIDELINES FOR USAGE

Paddlesports can be very dangerous and physically demanding. The user of this product should understand that participation in paddlesports may involve serious injury or death. Observe the following safety standards whenever using this product. The user of this product acknowledges both an understanding and an assumption of the risk involved in paddlesports.

After you have inflated your kayak and before you put it in the water, inspect your equipment for obvious signs of wear or failure. Review local rules and regulations and read again the "CAUTION" statement.

Most areas have local laws and regulations about the use and equipment of small boats. Usually a phone call to the local authorities will provide you with the needed information. Some areas may require that you register and display a registration number on the front of your kayak. Once you have been issued a number, it is best to affix it to the kayak by printing it on the material with a permanent ink marker. If you are required to display a sticker or vinyl letters, an inflatable boat ID kit can be purchased at most marine stores.

Your kayak is designed to be paddled with a double bladed kayak paddle. Paddle with short and even strokes. Keep the blade close to the kayak and the paddle almost vertical. Pull with your lower hand and push with your upper hand. To reduce the amount of swaying at the front of the kayak, ease off on the force of your stroke. Paddling with a backward stroke can sometimes offer quick maneuverability.

ALWAYS practice safety and take the time to learn about the area where you are paddling. Get official information about the local tides and currents before paddling there. Be careful that you do not over estimate your strength, your endurance or your skill. Be careful never to underestimate weather conditions. Be aware of the dangers before you begin. Be aware of your skill level. Be sure you understand and accept the risk of these dangers. There are many paddling clubs all over the world. These can be a great source of information on places to paddle, people to paddle with and most importantly, continued safety practices.

5. PROPER CARE AND STORAGE

Your inflatable kayak is made of very durable materials. However, like anything else, proper use and care will increase the life of your kayak. Before storing your kayak, make sure it is both CLEAN and DRY. You may clean your kayak with a mild soap and water. NEVER use strong solvents to clean your kayak as they will destroy the material.

Be sure to rinse your kayak with fresh water after every use in salt water and allow it to dry thoroughly before storing. Use a dry towel to wipe up all moisture. It should be deflated and kept out of direct sunlight when stored. Avoid exposure to extreme temperatures (hot or cold). If your boat is exposed to freezing temperatures while storing, allow it to warm up before unfolding.

Do not store your kayak for an extended period of time while wet.

6. REPAIRS

All kayaks come with a repair kit that includes a glueless peel-and-stick patch. For more significant repairs, we include a selection of material patches that can be glued on. Simply acquire a PVC glue at your local marine or outdoor store or contact our Customer Service for assistance via email at info@advancedelements.com or 1-866-262-9076.

6.1 REPAIRING SMALL PUNCTURES AND CUTS USING THE PEEL-AND-STICK PATCH

1. Cut a patch to size (approx. 1/2" larger than the hole or damaged area).
2. Carefully clean the area where patch will be placed with water and/or mild soap.
3. Make sure all surfaces are completely dry before proceeding.
4. Carefully peel back the paper liner on the glueless patch and carefully apply the patch over the hole-taking care to avoid any bubbles in the patch. Rub all edges to seal.
5. As a rule of thumb, the patch will start to cure immediately with approx. immediate adhesion of 50% with full 100% adhesion 24 hours after application.

6.2 REPAIRING PINHOLES

1. Inflate the PVC tube. Locate the pinhole by sponging soapy water over the tube until you see air bubbles. Mark the location of the pinhole.
2. Deflate the tube and dry the affected area. Apply a drop of glue to the pinhole
3. Allow glue to dry completely.
4. Do not inflate the kayak for at least twelve hours.

7. TROUBLESHOOTING

PROBLEM

Does not hold air while inflating:

SOLUTION

The spring valve uses a plunger system. The only time the plunger should be in the open position is when you are deflating. Make sure that the plunger is closed to inflate. Push the plunger in and rotate counter-clockwise.

The kayak is sagging or under inflated:

Be sure that the right pump is being used. You need a bellows foot pump or a double action hand pump. A 12-V electric does not supply enough pressure to fully inflate the kayak. The 12v can be used to partially inflate the kayak but one of the other pumps is needed to top it off.

The kayak will not hold full pressure for more than a couple of hours:

Make sure that the plunger is in the closed position. It should only be open when deflating. If it is open, the only seal is the black rubber gasket inside the cap. Even then, a little air may still leak out.

Kayak still loses air:

If you have checked all the previous possible reasons for the kayak losing air, then there may be a pinhole or a puncture somewhere on the tube. Inflate. If you cannot see or hear where a leak may be, take a clean rag with soapy water and begin rubbing the tube. If a hole is present, bubbles will continually form. Repair using repair kit. If it is a very small pinhole, a dab of the glue may be sufficient.

Note: If your state requires the licensing of this boat, please use the form below. If you need any assistance filling out this form, please contact Advanced Elements Customer Service Department.

MANUFACTURER'S STATEMENT OF ORIGIN (MSO)

Manufacturer's statement of origin for a vessel sold in the state of _____,
The undersigned manufacturer hereby certifies that the new boat described below, the property
of said manufacturer, has been transferred this _____ day of _____, 20_____
on Invoice# _____ to:

Owner's/Dealer's Name _____

Address _____

City, State, Zip _____

Model Name: StraitEdge2™ PRO Kayak (AE3027)

Model Year _____

HIN# _____

Type: Kayak

Hull Material: PVC/Polyester

Length Overall: 13ft

Beam: 35 in

U. S. Coast Guard Capacity Plate Information (where applicable):

Maximum persons capacity in whole persons: 500 lbs (227 kg)

Maximum weight capacity (persons & gear): 500 lbs (227 kg)

The manufacturer further certifies that this was the first transfer of such new boat and that all
information given herein is true and accurate to the best of their knowledge



P.O. Box 5128 Concord, CA 94524

Signature _____

First assignment for value received, in the amount of \$ _____,

the undersigned hereby transfers the Certificate of Origin and the boat described therein
to _____

Address _____

And certifies that the boat is new and has not been registered in this or any other state; Advanced
Elements, Inc. also warrants the title of said boat at time of delivery, subject only to the liens and
encumbrances as set out below:

Amount of Lien / Date to whom due

Address _____

Dates _____ 20 _____, at _____

By: _____ Transferrer (Firm name)

Sign Here _____

Before me personally appeared _____ who by me being duty sworn under
oath says the statements set forth above are true and correct. Subscribed and sworn to me before this
_____ day of _____ 20 _____.

Notary Public Date commission expires _____ (SEAL)

DECLARATION OF CONFORMITY
(according to ISO/IEC Guide 22 and EN 45014)

Manufacturer's Name: Advanced Elements, Inc.
Manufacturer's Address: P.O. Box 5128 Concord, CA 94524

Declares that the product:
Product Name: StraitEdge2™ PRO Kayak
Model Number (s): AE3027
to which this declaration relates, meets the essential health and safety requirements and is in conformity with the relevant EU Directives listed below:

General Product Safety Directive using the relevant section of the following EU standards and other normative documents:

EN ISO 6185-1 : 2001
ABYC H-29: 2019
Date: January 1, 2022

Signature : 
Danick Lavoie, President

This product complies with European directives for recreational vessels as published by the International Organization for Standardization (ISO).

If you need help or have an issue, please call us immediately toll free at 866-262-9076.

Please use the warranty registration form at: www.advancedelements.com/warranty to register your advanced elements product.

ADVANCED ELEMENTS WARRANTY

Advanced Elements, Inc. warrants its products to be free from defects in material or workmanship for a period of three (3) years from the date of purchase. Products that prove to be defective under conditions of normal and proper use during the warranty period because of defective workmanship or faulty material will be replaced, by the same product or an equivalent, or repaired without charge at Advanced Elements sole discretion. For warranty service, contact Advanced Elements, Inc.

Advanced Elements, Inc shall inspect all warranty claims and in the event of a defect claim, it will undertake to repair or replace the defective part or entire item (by the same product or an equivalent), at its option. The purchaser must, before return of a defective product, provide reasonable documentation to establish a defect, and obtain from Advanced Elements, Inc, a return authorization (RA) number and return center address. Please call Toll Free at 866-262-9076 to obtain an RA number and the return address. Once an RA is obtained, the purchaser must ship the product at their own expense, POSTAGE PREPAID, to Advanced Elements, Inc for repair. Do not ship to P.O. Box address as it will be sent back. The purchaser must also make sure that the issued RA number is clearly marked on the package.

Terms and Conditions:

1. Warranty Term will be three (3) years from the date of customer receipt for all non-commercial users.
2. Warranty applies to defects in material and workmanship. This Warranty does not cover:
 1. Damage due to negligence, neglect, lack of maintenance, accident, abnormal or improper use, bad assembly or improper repair attempts, or damage resulting from improper inflation, or damage resulting from the use of a pump not supplied by Advanced Elements, or damage due to contact with a cleaner or chemical.
 2. Modification or customization
 3. Punctures, cuts, and abrasions sustained in normal use
 4. Normal color fading of fabric or other materials
 5. Normal wear and tear
 6. Items involved in accidents; and items damaged in white water mishaps, and other unreasonable uses or improper storage
 7. Over-gluing and other aesthetic imperfections
 8. Cracking, blistering and aging of fabrics, or other materials.
 9. Products used for rental, for hire or in professionally guided tours and other uses not considered normal recreational purposes
 10. Consequential damages, or incidental costs such as transportation, launching, towing, or any other resulting damages.
3. Customer must provide reasonable documentation to establish a defect, including but not limited to:
 1. Digital photographs or video clearly showing the defect
 2. Troubleshooting assistance to establish or establish the cause of the problem

4. For warranty claims outside of North America, please contact the authorized distributor for the country where the product was originally purchased. For the correct contact, please email info@advancedelements.com
5. For orders exported outside the United States, Advanced Elements, Inc. will not be responsible for any import duties, taxes, or fees associated with shipping replacement products.
6. Our obligation under this warranty shall be limited to repairing a defective part, or at our discretion, replacing such part or parts as shall be necessary to remedy any malfunction resulting from defects in material or workmanship as covered by this warranty. We reserve the right to change or improve the design of any product without assuming any obligation to modify any product previously manufactured.
7. Severability: If any provision of this Limited Warranty is unenforceable, for any reason, all other provisions hereof shall remain in full force and effect.
8. THERE ARE NO WARRANTIES WHICH EXTEND BEYOND THE DESCRIPTION OF THE FACE HEREOF. ADVANCED ELEMENTS SHALL NOT BE HELD LIABLE FOR INCIDENTAL AND CONSEQUENTIAL DAMAGES.

THIS WARRANTY IS INCLUSIVE IN LIEU OF ALL OTHER WARRANTIES.

LIMITATIONS OF REMEDIES: Water activities are, by their nature, hazardous. Users of Advanced Elements, Inc. Products assume all risk and liability whatsoever resulting directly or indirectly from the use of such products, whether used singularly or in combination with other equipment, including all risk of bodily injury or death and whether arising in contract or tort or otherwise, and specifically including incidental, special, and consequential damages. Remedies for breach of contract arising by implication or operation of law, except as otherwise provided herein, are excluded. Your boat should only be operated within the us coast guard approved maximum capacity ratings as stated on the boat.

RESTRICTIONS ON LIMITATIONS AND DISCLAIMERS: Some states may not allow the exclusion or limitation of incidental or consequential damages, or the exclusion or limitation of the duration of implied warranties. Therefore, some or all of the limitations and /or exclusions of warranties and remedies set forth above may not apply to you. This warranty gives you specific legal rights, and you may also have other rights, which vary, from state to state.

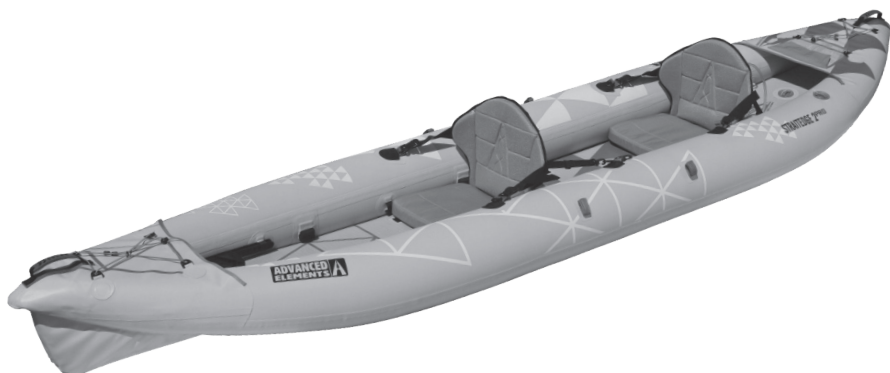


ADVANCED ELEMENTS^{MD}

THE EVOLUTION OF INFLATABLE KAYAKS

KAYAK GONFLABLE STRAITEDGE2^{MC} PRO

MANUEL DE L'UTILISATEUR
MODÈLE AE3027



KAYAK POUR 1 OU 2 PERSONNE

IMPORTANT

IMPORTANT! VEUILLEZ LIRE ATTENTIVEMENT LE PRÉSENT MANUEL AVANT D'UTILISER LE PRODUIT
ET LE CONSERVER POUR RÉFÉRENCE FUTURE.

INTRODUCTION

Créée en Californie, Advanced Elements a pour objectif de développer des produits de sports de pagaie nouveaux et uniques visant à rehausser l'expérience de plein air de ses clients. Notre but est de concevoir et de fabriquer des « kayaks gonflables à la pointe de la technologie » et de fournir un excellent service à la clientèle. Ayant profondément à cœur de développer des produits fondés sur une technologie brevetée, nous nous efforçons de fabriquer des kayaks et des planches à pagaie gonflables, ainsi que des accessoires de sports de pagaies, qui offrent performance, qualité et portabilité. Tous nos produits ont été conçus avec une idée en tête : permettre aux pagayeurs de s'équiper à un prix raisonnable.

Nous estimons qu'il est extrêmement important de veiller à ce que nos clients vivent la meilleure expérience possible. Pour ce faire, nous prenons grand soin de les soutenir et de les écouter. Ce sont les commentaires de nos clients qui nous ont permis d'exceller et de croître au fil des ans.

Nos bureaux, situés près de San Francisco, en Californie, ne sont pas seulement le lieu où nous concevons nos produits innovants. C'est également là que vous trouverez notre excellente équipe de service à la clientèle, prête à répondre à toutes vos questions sur nos produits et à vous offrir une assistance de premier ordre.

Nous espérons vous voir sur l'eau prochainement!

Cordialement,

L'équipe d'Advanced Elements



TABLE DES MATIÈRES

1. Mise en garde et sécurité.....	4
1.1 Sécurité Nautique.....	5
2. Spécifications	6
2.1 Capacité	6
2.2 Caractéristiques	6
3. Instructions d'assemblage, de gonflage et de dégonflage ..	7
3.1 Assemblage	7
3.2 Comprendre vos valves	7
3.3 Gonflage	9
3.4 Surgonflage	9
3.5 Dégonflage	11
3.6 Pliage.....	11
4. Lignes directrices pour l'utilisation.....	12
5. Entretien adéquat et rangement	12
6. Réparations	13
6.1 Réparer les petites perforations et coupures à l'aide de la rustine autocollante.....	13
6.2 Réparer les trous d'épingle.....	13
7. Dépannage	14
Déclaration d'origine du Fabricant	15
Déclaration de conformité	17
Garantie limitée	18

1. MISE EN GARDE ET SÉCURITÉ

Les utilisateurs de ce produit conviennent, de par leur utilisation, d'accepter les risques inhérents aux activités sportives de canotage et s'engagent à suivre attentivement toutes les instructions, les précautions et les avertissements avant d'utiliser ce kayak.

(VEUILLEZ LIRE ATTENTIVEMENT LES MISES EN GARDE)

⚠ AVERTISSEMENT

Le non-respect de ces avertissements peut entraîner des BLESSURES GRAVES ou la MORT

- **CONSULTEZ UN MÉDECIN** avant de vous adonner à la pratique d'un sport de pagaies. Les sports de pagaies peuvent être très dangereux et exigeants physiquement.
 - **SUIVEZ UNE FORMATION APPROPRIÉE** à ce type d'embarcation. Ne dépassez pas vos capacités de pagayer; soyez honnête avec vous-même.
 - **PORTEZ UN GILET DE SAUVETAGE APPROUVÉ PAR LA GARDE CÔTIÈRE** et, s'il y a lieu, un casque.
 - **NE PAGAYEZ JAMAIS SEUL.**
 - **VÉRIFIEZ LES PRÉVISIONS MÉTÉOROLOGIQUES AVANT DE QUITTER LE QUAI** et tenez compte de tous les avis météorologiques.
 - **HABILLENZ-VOUS EN FONCTION** des conditions météorologiques, car l'eau et la température froides peuvent provoquer l'hypothermie.
 - **NE NAVIGUEZ JAMAIS EN PÉRIODE D'INONDATION.**
 - **SOYEZ CONSCIENT DES CONDITIONS DE L'EAU**, y compris les niveaux d'eau appropriés, les changements de marée, les courants dangereux et tout autre danger. Observez attentivement tout plan d'eau que vous ne connaissez pas et faites du portage au besoin.
 - **NE PRATIQUEZ JAMAIS UN SPORT DE PAGAIES SOUS L'INFLUENCE** de drogues ou d'alcool.
 - **DEMEUREZ À UNE DISTANCE RAISONNABLE** des autres embarcations et restez toujours à l'affût des dangers.
 - **RESPECTEZ LES LOIS APPLICABLES À LA NAVIGATION DE PLAISANCE.**
 - **LISEZ LE MANUEL DE L'UTILISATEUR** et suivez toutes les recommandations relatives à l'utilisation de ce produit. Consultez le fabricant avant d'ajouter de l'équipement de marché secondaire et n'obstruez jamais l'entrée ou la sortie de l'embarcation.
- www.AdvancedElements.com - FABRIQUÉ EN INDONÉSIE



Advanced Elements, inc.

1-866-262-9076

- Non destiné à un usage commercial.
- N'utilisez jamais un compresseur ou de l'air comprimé pour gonfler le kayak; vous risqueriez de l'endommager ou de vous blesser.
- Ne transportez pas l'embarcation ni ne la laissez sur la plage lorsqu'elle est entièrement gonflée. La chaleur du soleil ou un changement d'altitude peuvent entraîner un surgonflement et causer des dommages.
- Évitez de trop gonfler le kayak; vous risqueriez de l'endommager ou de vous blesser.

Veillez lire le présent manuel dans son intégralité pour obtenir de plus amples renseignements de sécurité. Veuillez prêter une attention particulière aux éléments accompagnés des mentions **DANGER, AVERTISSEMENT, MISE EN GARDE, IMPORTANT, AVIS, JAMAIS et TOUJOURS.**

1.1 SÉCURITÉ NAUTIQUE



Il s'agit du symbole d'alerte de sécurité. Il est utilisé pour vous avertir de risques potentiels de blessures corporelles. Respectez tous les messages de sécurité qui suivent ce symbole pour éviter tout risque de blessure, voire la mort.

<p>! DANGER !</p>	<p>Indique une situation dangereuse imminente qui, si elle n'est pas évitée, entraînera des blessures graves ou mortelles, ou encore des dommages matériels importants.</p>
<p>! AVERTISSEMENT</p>	<p>Indique une situation potentiellement dangereuse qui, si elle n'est pas évitée, peut entraîner des blessures graves ou mortelles, ou encore des dommages matériels.</p>
<p>! MISE EN GARDE</p>	<p>Indique une situation potentiellement dangereuse qui, si elle n'est pas évitée, peut entraîner des dommages matériels.</p>
<p>MISE EN GARDE</p>	<p>Utilisé sans le symbole d'alerte de sécurité, il indique une situation potentiellement dangereuse qui, si elle n'est pas évitée, peut entraîner des dommages matériels.</p>
<p>AVIS</p>	<p>Indique des renseignements sur l'installation, le fonctionnement ou l'entretien qui sont importants, mais non liés à un danger.</p>

Les précautions énumérées dans ce manuel et sur l'embarcation ne sont pas exhaustives. Si une procédure, une méthode, un outil ou une pièce n'est pas spécifiquement recommandée, vous devez vous assurer qu'elle est sûre pour vous et les autres et que votre embarcation ne sera pas endommagée ni rendue dangereuse du fait de votre décision. **N'OUBLIEZ PAS** – faites toujours preuve de bon sens lorsque vous pagayez dans votre kayak.

2. SPÉCIFICATIONS

Dimensions:	
Longueur :	400 cm (13 pi)
Largeur :	89 cm (35 po)
Poids :	41 lbs (18.6 kg)
Capacité maximale (personnes) :	500 lbs (227 kg)
Capacité maximale (personnes et équipement) :	500 lbs (227 kg)
Pression recommandée :	
Chambres à air principales :	2.25 psi (0.16 bar)
Chambre à air de plancher :	6.0 psi (0.41 bar)



2.1 CAPACITÉ

La capacité (personne / charge) est déterminée par la disponibilité de sièges appropriés sur le kayak. Les places assises acceptables déterminent le nombre de passagers et non la capacité de charge globale.

MAXIMUM CAPACITIES <small>NOT INTENDED FOR MECHANICAL PROPULSION</small>	CAPACITÉS MAXIMALES <small>NON DESTINÉ À LA PROPULSION MÉCANIQUE</small>
2 PERSON OR 500 LBS. 500 LBS PERSON, GEAR PRESSURE = 2.25 psi (main chambers) MANUFACTURER: ADVANCED ELEMENTS, INC., CONCORD, CA USA 94524 MODEL AE3027 - STRAIGHTEDGE™ PRO KAYAK	2 PERSONNE OU 227 kg 227 kg PERSONNE, ÉQUIPEMENT PRESSION = 2.25 psi (chambres à air principales) FABRICANT : ADVANCED ELEMENTS INC., CONCORD, CA 94524 ÉTATS-UNIS MODÈLE AE3027 - KAYAK STRAIGHTEDGE™ PRO
<small>THIS BOAT COMPLIES WITH NMMA STANDARDS OF EFFECT ON THE DATE OF CERTIFICATION</small>	<small>CE BATEAU EST CONFORME AUX NORMES DE LA NATIONAL MARINE MANUFACTURERS ASSOCIATION (NMMA) EN VIGUEUR À LA DATE DE LA CERTIFICATION</small>
NMMA CERTIFIED NATIONAL MARINE MANUFACTURERS ASSOCIATION	NMMA CERTIFIED NATIONAL MARINE MANUFACTURERS ASSOCIATION
COMPLIANCE WITH ISO 6185-1 TYPE III, B 2 + 1 = 227 kg ⇔ • ⇐ 0,16 bar (main chambers)	CONFORME À LA NORME ISO 6185-1 TYPE III, B 2 + 1 = 500 lbs ⇔ • ⇐ 0,16 bar (chambres à air principales)

⚠ ATTENTION: Ne dépassez en aucun cas les capacités maximales certifiées. La surcharge réduira le franc-bord et augmentera les risques d'inondation, en particulier par forte mer. La surcharge entraîne un ralentissement de la manipulation, rendant difficile une réaction rapide.

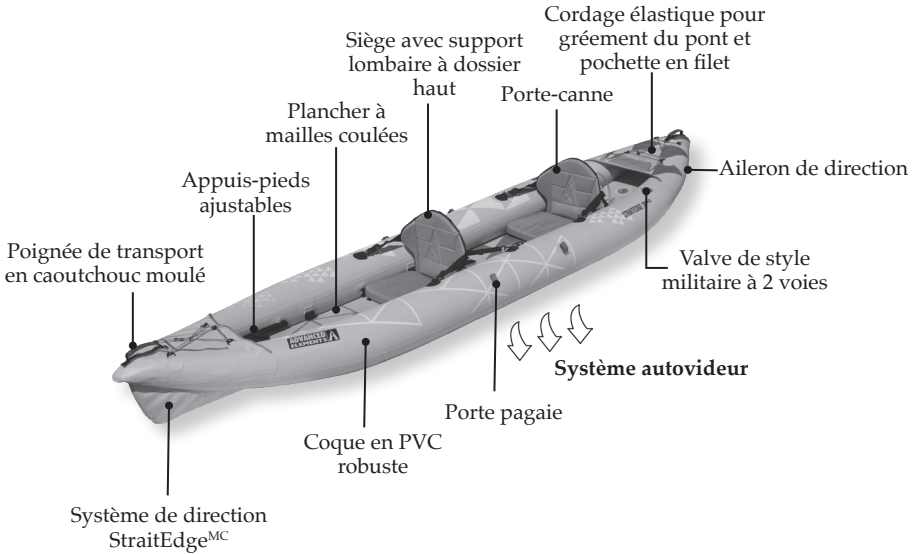
2.2 CARACTÉRISTIQUES

Conception de la coque : Le plancher à mailles coulées et la technologie de cadre à membrures en aluminium offrent d'excellentes performances.

Durable : Coque en PVC robuste et construction à 3 chambres.

Stable : La largeur de 0,9 mètre (35 pouces) assure une stabilité accrue.

Polyvalent : Il peut être configuré en mode autovideur dans les grosses vagues, et l'on peut fermer les orifices du système autovideur dans les eaux calmes ou froides.



3. INSTRUCTIONS D'ASSEMBLAGE, DE GONFLAGE ET DE DÉGONFLAGE

3.1 ASSEMBLAGE

Votre kayak est préassemblé en usine. Vous ne devriez avoir qu'à fixer le siège, les appuis-pieds et l'aileron de direction. Veuillez suivre les directives et figures suivantes afin de compléter l'installation des appuis-pieds et de l'aileron de direction.

3.2 COMPRENDRE VOS VALVES

La valve à deux voies de type militaire Advanced Elements a la fonction et la durabilité des valves de type militaire et est compatible avec la plupart des pompes de bateaux pneumatiques standard. La figure suivante donnera des détails sur le fonctionnement des valves.

Pour gonfler : utilisez votre doigt pour appuyer sur la tige de la valve et faites-la pivoter d'un quart de tour, la tige se soulèvera pour gonfler.

Pour dégonfler : utilisez votre doigt pour appuyer sur la tige de la valve vers le bas / vers l'intérieur et faites-la pivoter d'un quart de tour pour la verrouiller.

Comment fonctionne la valve militaire à 2 voies

Lorsque la valve est dans la position de gonflage (haute / extérieure), l'air pompé pousse le piston à ressort afin de permettre à l'air d'entrer dans la chambre à air, sans toutefois le laisser s'échapper. Lorsque la valve est en position dégonflage (basse / intérieure), le piston à ressort est grand ouvert, permettant à l'air de sortir de la chambre à air. Si la valve est en position de gonflage, la tige du plongeur de la valve sera alignée avec le bord de la valve. Si la valve est en position de dégonflage, la tige du plongeur de la valve sera à l'intérieur ou plus bas que le

bord de la valve. Pour changer la valve de la position de gonflage à la position de dégonflage, utilisez simplement votre doigt pour appuyer sur la tige du piston de la valve vers le bas / vers l'intérieur et effectuez un quart de tour. Cela verrouille le piston et permet à l'air de s'échapper. Utilisez la même procédure en sens inverse pour déverrouiller le piston de la valve, lui permettant de se relever en position de gonflage.

Note spéciale: Si vous utilisez un gonfleur 12v, comme ceux fournis avec la plupart des matelas gonflables ou ceux qui se branchent sur des allume-cigares, il peut être nécessaire d'avoir la valve en position de dégonflage (vers le bas / vers l'intérieur) car ces types de pompes ne fournissent pas assez de pression pour que le piston soit ouvert afin de permettre à l'air d'entrer dans la chambre à air. De plus, les gonfleurs 12v ne fournissent pas suffisamment de pression pour gonfler complètement le kayak. Vous aurez donc besoin d'une pompe secondaire pour terminer le travail.

APPUYER SUR LA TIGE CENTRALE AVEC LES DOIGTS ET TOURNER

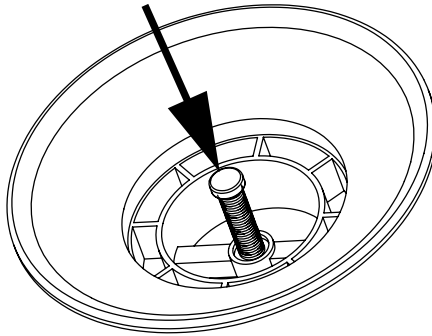
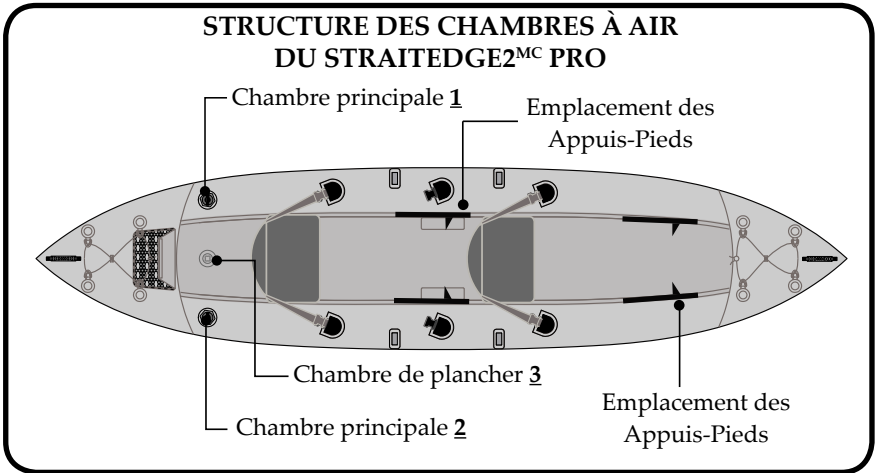


Figure 1. Gonfler / Dégonfler la valve militaire à 2 voies

3.3 GONFLAGE



1. Commencez par déplier le kayak et le mettre à plat. Insérez les rails des repose-pieds dans les poches de montage à sangle situées sur les chambres principales du kayak avant le gonflage. Orientez chacun des repose-pieds de manière à ce que la languette de réglage de la plaque d'appui pour pied soit orientée vers la proue du kayak. Insérez d'abord le rail du repose-pied dans la boucle de la sangle la plus proche de la zone d'assise, puis insérez l'autre extrémité du rail dans la poche de la sangle à l'avant du kayak. (Voir les figures des étapes 1 à 4 à la page suivante)
2. Vérifiez que les 3 pistons de la valve sont en position HAUTE ou de gonflage. (Voir la figure 1) En utilisant l'adaptateur situé dans votre trousse de réparation, gonflez la chambre principale 1 jusqu'à ce qu'elle soit ferme au toucher (**2,25 psi MAXIMUM**).
3. Gonflez la chambre principale 2 jusqu'à ce qu'elle soit ferme au toucher (**2,25 psi MAXIMUM**).
4. Gonflez la chambre 3 (du plancher) jusqu'à ce qu'elle soit ferme (**4,0 psi à 6,0 psi MAXIMUM**).
5. Assurez-vous que toutes les valves sont correctement fermées.
6. Fixez les sièges au kayak à l'aide des grandes boucles et ajustez ces dernières pour obtenir le soutien voulu. Pour maintenir le dossier du siège en position verticale, vous pouvez ajuster et accrocher les petites sangles du siège aux anneaux en D du kayak, directement derrière le siège.
7. Réglez les repose-pieds pour obtenir le support souhaité en appuyant sur les languettes des plaques de pied et en faisant glisser ces dernières le long des rails.
8. Si vous pagayez en eau calme, fixez l'aileron de direction au support situé sous le kayak. Si vous pagayez en eau vive, n'utilisez pas l'aileron du kayak.

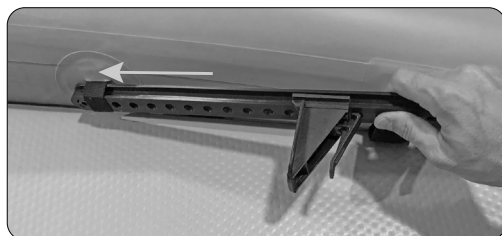
3.4 SURGONFLAGE

⚠ ATTENTION: La température de l'eau et les conditions météorologiques affecteront la pression de gonflage du kayak. Par temps froid, votre kayak perdra de la pression car l'air à l'intérieur se contracte. Si cela se produit, vous pouvez ajouter un peu d'air pour améliorer les

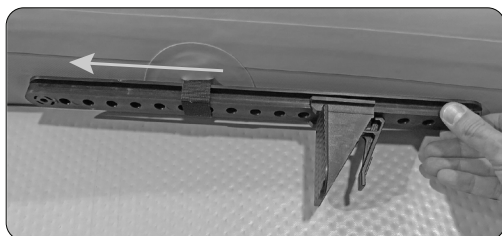
performances de votre kayak. Cependant, par temps chaud ou en plein soleil prolongé, l'air à l'intérieur va se dilater. Dans ce cas, vous devez laisser de l'air sortir des chambres appropriées pour éviter que le kayak ne soit endommagé par une surpression. Vous devez éviter d'exposer votre kayak à des températures extrêmes (chaudes ou froides).

Illustrations pour l'installation des appuis-pieds

Étape 1



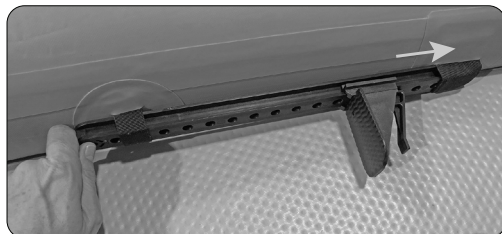
Étape 2



Étape 3



Étape 4



3.5 DÉGONFLAGE

1. Retirez les bouchons des 3 chambres.
2. Enlevez les appuis-pieds et les sièges
3. Une fois les chambres dégonflées, il est possible d'utiliser la pompe pour aspirer l'air supplémentaire afin de faciliter le pliage.

3.6 PLIAGE

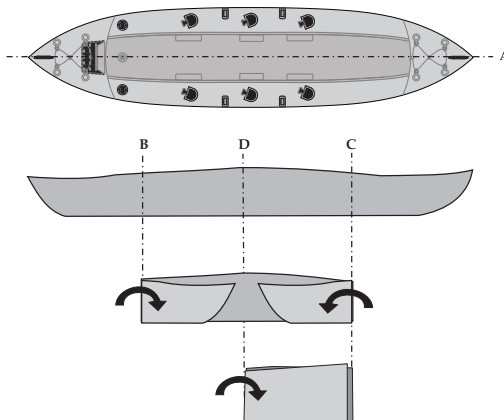
Attention : Lorsque le kayak est dégonflé et replié, les points de pliage situés aux extrémités des plis (photo plus bas) peuvent être vulnérables. Une friction assez forte sur une surface abrasive peut causer de petits trous dans le matériau et une fuite d'air.

Lorsque le kayak est gonflé, ou même déplié et dégonflé, ce n'est pas un problème



AVIS : Inversez le sens de la pompe pour dégonfler complètement toutes les chambres.

1. Dégonflez complètement toutes les chambres à air, séchez bien le kayak, retirez le siège et les appuis-pieds.
2. Pliez en deux, au centre, dans le sens de la longueur.
3. Pliez en quatre parties égales.
4. Placez le kayak dans le sac de voyage.



4. LIGNES DIRECTRICES POUR L'UTILISATION

Les sports de rame peuvent être très dangereux et physiquement exigeants. L'utilisateur de ce produit doit comprendre que la pratique de sports de rame peut entraîner des blessures graves, voire mortelles. Observez les normes de sécurité suivantes lors de l'utilisation de ce produit. L'utilisateur de ce produit reconnaît à la fois comprendre et assumer les risques inhérents aux sports de rame.

Après avoir gonflé votre kayak et avant de le mettre à l'eau, inspectez votre équipement à la recherche de signes évidents d'usure et de défaillance. Passez en revue les règles et réglementations locales et relisez les consignes de sécurité de la section 1.

De nombreuses régions ont des lois et réglementations locales concernant l'utilisation et l'équipement des petits bateaux. Habituellement, un appel téléphonique aux autorités locales vous fournira les informations nécessaires. Dans certaines régions, vous devrez peut-être vous inscrire et afficher un numéro d'enregistrement à l'avant de votre kayak. Une fois qu'un numéro vous a été attribué, il est préférable de l'apposer sur le kayak en l'imprimant sur le support à l'aide d'un feutre indélébile. Si vous devez afficher un autocollant ou des lettres en vinyle adhésives, vous pouvez acheter un ensemble d'identification de bateau pneumatique dans la plupart des magasins de sports nautiques.

Votre kayak est conçu pour être propulsé avec une pagaie à double pale. Pagayez avec des coups courts et réguliers. Gardez la rame près du kayak et la pagaie presque à la verticale. Tirez avec votre main inférieure et poussez avec votre main supérieure. Pour réduire le balancement à l'avant du kayak, relâchez la force de votre coup. Pagayer avec un coup en arrière peut parfois offrir une maniabilité rapide.

Respectez TOUJOURS la sécurité et prenez le temps de vous renseigner sur la zone où vous pagayez. Obtenez des informations officielles sur les marées, les courants et les conditions de vent locaux avant de vous y rendre. Veillez à ne pas surestimer votre force, votre endurance ou vos compétences. Veillez à ne jamais sous-estimer les conditions météorologiques. Soyez conscient(e) des dangers avant de commencer. Soyez conscient(e) de votre niveau de compétence. Assurez-vous de comprendre et d'accepter le risque de ces dangers. Il existe de nombreux clubs de pagayeurs dans le monde entier. Ceux-ci peuvent constituer une excellente source d'informations sur les endroits où pagayer, les personnes avec qui pagayer et, plus important encore, les pratiques de sécurité courantes.

5. ENTRETIEN ADÉQUAT ET RANGEMENT

Votre kayak gonflable est fait de matériaux très résistants. Cependant, comme toute autre chose, une utilisation et un entretien adéquat augmenteront la durée de vie de votre kayak. Avant de ranger votre kayak, assurez-vous qu'il est à la fois PROPRE et SEC. Vous pouvez nettoyer votre kayak avec un savon doux et de l'eau. N'utilisez JAMAIS de solvants puissants pour nettoyer votre kayak, car ils pourraient endommager le revêtement.

Rincez votre kayak à l'eau douce après chaque sortie en mer, et faites-le bien sécher avant de le ranger. Éliminez toute trace d'humidité avec une serviette sèche. Une fois rangé, il ne doit

pas être gonflé ni exposé de manière directe à la lumière du soleil. Évitez de le soumettre à des températures extrêmes. Si votre bateau est soumis au gel pendant une période de stockage, laissez-le réchauffer avant de le déplier.

Ne rangez pas votre kayak pendant une période prolongée lorsqu'il est mouillé.

6. RÉPARATIONS

Tous les kayaks sont assortis d'une trousse de réparation comprenant une rustine autocollante. Pour les réparations plus importantes, nous proposons une sélection de rustines en tissu qui peuvent être collées. Il vous suffit de vous procurer une colle à PVC dans votre magasin de nautisme ou de plein air local ou de communiquer avec notre service à la clientèle par courriel à info@advancedelements.com ou par téléphone au 1 866 262-9076 pour obtenir de l'aide.

6.1 RÉPARER LES PETITES PERFORATIONS ET COUPURES À L'AIDE DE LA RUSTINE AUTOCOLLANTE

1. Découpez une rustine de taille adéquate (environ 1 cm [1/2 po] plus grande que le trou ou la zone endommagée).
2. Nettoyez soigneusement la zone où la rustine sera appliquée avec de l'eau ou du savon doux.
3. Assurez-vous que toutes les surfaces sont complètement sèches avant de procéder.
4. Retirez délicatement la pellicule de protection et appliquez la rustine sur le trou en évitant la formation de bulles d'air. Frottez tous les bords pour les sceller.
5. En règle générale, la rustine sera efficace à environ 50 % instantanément. Il faudra attendre 24 h après l'application pour une adhérence de 100 %.

6.2 RÉPARER LES TROUS D'ÉPINGLE

1. Gonflez la chambre d'air en PVC. Couvrez la chambre d'air d'eau savonneuse et soyez à l'affût de la formation de bulles d'air. C'est là que se trouve le trou d'épingle. Marquez son emplacement.
2. Dégonflez la chambre d'air et séchez la zone concernée. Appliquez une goutte de colle sur le trou d'épingle.
3. Laissez la colle sécher complètement.
4. Ne gonflez pas le kayak pendant au moins douze heures.

7. DÉPANNAGE

PROBLÈME

Le kayak ne retient pas l'air pendant le gonflage.

SOLUTION

La valve à ressort utilise un système de piston. Le seul moment où le piston doit être en position ouverte est lorsque vous dégonflez le kayak. Assurez-vous que le piston est fermé avant de procéder au gonflage. Poussez le piston et tournez-le dans le sens antihoraire.

Le kayak s'affaisse ou n'est pas suffisamment gonflé.

Assurez-vous d'utiliser la bonne pompe. Il vous faut une pompe à pied à soufflet ou une pompe à main à double action. Une pompe électrique de 12 V ne fournit pas assez de pression pour gonfler complètement le kayak. La pompe de 12 V peut servir à gonfler partiellement le kayak, mais vous devrez utiliser une autre pompe pour terminer le travail.

Le kayak ne tient pas la pression maximale pendant plus de quelques heures.

Assurez-vous que le piston est bien fermé. Il devrait seulement être ouvert lors du dégonflage. S'il est ouvert, le seul joint est le joint caoutchouc noir à l'intérieur du capuchon. Dans ce cas, une légère fuite peut survenir.

Le kayak perd toujours de l'air.

Si vous avez vérifié toutes les autres raisons possibles pour lesquelles le kayak peut perdre de l'air, il se peut qu'il y ait un trou d'épingle ou une perforation quelque part. Gonflez-la. Si vous n'entendez pas de sifflement ni ne voyez où se trouve la fuite, prenez un chiffon propre trempé d'eau savonneuse et commencez à frotter la chambre à air. S'il y a un trou, des bulles se formeront continuellement. Réparez-le à l'aide de la trousse de réparation. S'il s'agit d'un très petit trou, un peu de colle peut suffire.

Remarque : Si votre état exige la licence de ce bateau, veuillez utiliser le formulaire ci-dessous. Si vous avez besoin d'aide pour remplir ce formulaire, veuillez contacter le service client d'Advanced Elements.

DÉCLARATION D'ORIGINE DU FABRICANT

Vendu dans la province/État de _____

Par le présent document, le fabricant soussigné certifie, en ce _____ jour du mois de _____ de l'an _____, ainsi qu'en témoigne la facture numéro _____ que le kayak neuf décrit ci-dessus, propriété du fabricant susdit, a été transféré à :

Nom du propriétaire/concessionnaire : _____

Adresse : _____

Ville : _____ État : _____ Code postal : _____

Nom du modèle : StraitEdge2^{MC} PRO Kayak (AE3027)

Année du modèle : _____

Numéro de série : _____

Type : Kayak

Longueur : 13pi

Largeur : 35po

Matériel de coque : PVC/Polyester

Informations de capacité pour la Garde Côtière Américaine (où applicable)

Capacité de poids maximale (Personnes) : 500 lbs (227kg)

Capacité de poids maximale (Personnes et équipement) : 500 lbs (227kg)

De plus, le fabricant certifie qu'il s'agit du premier transfert de ladite embarcation à s'effectuer dans le cadre de pratiques commerciales courantes et que tous les renseignements ci-inclus sont véridiques et exacts à sa connaissance.



Nom du fabricant :

Advanced Elements, Inc.

P.O.Box 5128

Concord, CA 94524

Signature : _____

PREMIÈRE POSSESSION

POUR LA VALEUR REÇUE, au montant de \$ _____

le soussigné transfère par la présente le certificat d'origine et le bateau qui y est décrit

à _____

Adresse : _____

et certifie que le bateau est neuf et n'a pas été immatriculé dans cet État ou dans tout autre État; Advanced Elements, Inc. garantit également le titre dudit bateau au moment de la livraison, sous réserve uniquement des privilèges et charges comme indiqué ci-dessous :

montant du privilège

date

À qui est dû

Adresse : _____

Date : _____

Par : _____ Cédant (nom de l'entreprise)

Signez ici _____

Devant moi personnellement comparu _____ qui par moi étant assermenté sous serment déclare que les déclarations énoncées ci-dessus sont vraies et correctes. Enregistré et assermenté en ce _____ e jour de _____, 20____.

_____ Notaire.

Date d'expiration de la commission _____

Si vous avez besoin d'aide ou si vous rencontrez un problème, veuillez nous appeler immédiatement au numéro sans frais 866-262-9076.

Veuillez utiliser le formulaire d'enregistrement de la garantie à l'adresse suivante : www.advancedelements.com/warranty pour enregistrer votre produit Advanced Elements.

GARANTIE ADVANCED ELEMENTS

Advanced Elements, Inc. garantit que ses produits sont exempts de défauts de matériaux ou de fabrication pendant une période de trois (3) ans à compter de la date d'achat. Les produits qui s'avèrent défectueux en raison d'un défaut de fabrication ou d'un matériel défectueux alors qu'ils ont été utilisés dans des conditions d'utilisation normales et appropriées pendant la période de garantie seront remplacés, par le même produit ou un produit équivalent, ou réparés sans frais à la seule discrétion d'Advanced Elements. Pour le service de garantie, contactez Advanced Elements, Inc.

Advanced Elements, Inc inspectera toutes les réclamations de garantie et en cas de réclamation pour défaut, s'engagera à réparer ou à remplacer la pièce défectueuse ou l'article entier (par le même produit ou un produit équivalent), à sa discrétion. L'acheteur doit, avant le retour d'un produit défectueux, fournir une documentation raisonnable pour établir un défaut et obtenir d'Advanced Elements, Inc, un numéro d'autorisation de retour (RA) et l'adresse du centre de retour. Veuillez appeler sans frais au 866-262-9076 pour obtenir un numéro RA et l'adresse de retour. Une fois qu'un RA est obtenu, l'acheteur doit expédier le produit à ses propres frais, PORT PAYÉ, à Advanced Elements, Inc pour réparation. Ne pas expédier à une adresse de boîte postale (P.O. Box) sinon il sera renvoyé. L'acheteur doit également s'assurer que le numéro RA obtenu est clairement indiqué sur l'emballage.

Termes et conditions:

1. La durée de la garantie sera de trois (3) ans à compter de la date de réception par le client pour tous les utilisateurs non commerciaux.
2. La garantie s'applique aux défauts de matériaux et de fabrication. Cette garantie ne couvre pas :
 1. Dommages dus à une négligence, un manque d'entretien, un accident, une utilisation anormale ou inappropriée, un mauvais assemblage ou des tentatives de réparation inappropriées, ou des dommages résultant d'un gonflage incorrect, ou des dommages résultant de l'utilisation d'une pompe non fournie par Advanced Elements, ou dommages dus au contact avec un nettoyeur ou un produit chimique.
 2. Modification ou personnalisation
 3. Crevaisons, coupures et abrasions subies lors d'une utilisation normale
 4. Décoloration normale du tissu ou d'autres matériaux
 5. Usure normale
 6. Objets impliqués dans des accidents ; et les articles endommagés lors d'accidents d'eau vive et d'autres utilisations déraisonnables ou d'un stockage inapproprié
 7. Sur-collage et autres imperfections esthétiques
 8. Fissuration, formation de cloques et vieillissement des tissus ou d'autres matériaux.
 9. Produits utilisés pour la location ou lors de visites guidées par des professionnels et autres utilisations non considérées comme des fins récréatives normales
 10. Les dommages consécutifs ou les frais accessoires tels que le transport, la mise à l'eau, le remorquage ou tout autre dommage en résultant.
3. Le client doit fournir une documentation raisonnable pour établir un défaut, y compris, mais sans s'y limiter :
 1. Photographies numériques ou vidéo montrant clairement le défaut
 2. Assistance au dépannage pour établir ou établir la cause du problème

4. Pour les demandes de garantie en dehors de l'Amérique du Nord, veuillez contacter le distributeur agréé du pays où le produit a été acheté à l'origine. Pour le bon contact, veuillez envoyer un courriel à info@advancedelements.com
5. Pour les commandes exportées en dehors des États-Unis, Advanced Elements, Inc. ne sera pas responsable des droits d'importation, taxes ou frais associés à l'expédition de produits de remplacement.
6. Notre obligation en vertu de cette garantie sera limitée à la réparation d'une pièce défectueuse ou, à notre discrétion, au remplacement de la ou des pièces nécessaires pour remédier à tout dysfonctionnement résultant de défauts de matériaux ou de fabrication couverts par cette garantie. Nous nous réservons le droit de modifier ou d'améliorer la conception de tout produit sans assumer aucune obligation de modifier tout produit précédemment fabriqué.
7. Divisibilité : Si une disposition de cette garantie limitée est inapplicable, pour quelque raison que ce soit, toutes les autres dispositions des présentes resteront en vigueur et de plein effet.
8. AUCUNE GARANTIE NE S'ÉTEND AU-DELÀ DE LA DESCRIPTION DES PRÉSENTES. ADVANCED ELEMENTS NE SERA PAS TENU RESPONSABLE DES DOMMAGES ACCESSOIRES ET INDIRECTS.

CETTE GARANTIE REMPLACE TOUTES LES AUTRES GARANTIES.

LIMITES DES RECOURS : Les activités nautiques sont, de par leur nature, dangereuses. Les utilisateurs des produits Advanced Elements, Inc. assument tous les risques et responsabilités résultant directement ou indirectement de l'utilisation de ces produits, qu'ils soient utilisés individuellement ou en combinaison avec d'autres équipements, y compris tous les risques de blessures corporelles ou de décès et qu'ils résultent d'un contrat ou d'un délit ou autrement, et notamment les dommages accessoires, spéciaux et consécutifs. Les recours en cas de rupture de contrat découlant implicitement ou de l'effet de la loi, sauf disposition contraire des présentes, sont exclus. Votre bateau ne doit être utilisé que dans les limites de capacité maximale approuvées par les garde-côtes américains, comme indiqué sur le bateau.

RESTRICTIONS SUR LES LIMITATIONS ET AVIS DE NON-RESPONSABILITÉ : Certains États peuvent ne pas autoriser l'exclusion ou la limitation des dommages accessoires ou consécutifs, ou l'exclusion ou la limitation de la durée des garanties implicites. Par conséquent, certaines ou toutes les limitations et/ou exclusions de garanties et de recours énoncées ci-dessus peuvent ne pas s'appliquer à vous. Cette garantie vous donne des droits légaux spécifiques, et vous pouvez également avoir d'autres droits, qui varient d'un état à l'autre.

IMPORTANT!

**PLEASE READ THIS MANUAL CAREFULLY BEFORE PROCEEDING.
AFTER READING THIS MANUAL, SAVE THESE INSTRUCTIONS
FOR FUTURE REFERENCE.**

**Visit our website at
www.advancedelements.com
or call Toll Free 866-262-9076**

IMPORTANT!

**VEUILLEZ LIRE ATTENTIVEMENT LE PRÉSENT MANUEL AVANT
D'UTILISER LE PRODUIT ET LE CONSERVER POUR RÉFÉRENCE FUTURE.**

**Si vous souhaitez consulter le catalogue de nos plus récents produits,
veuillez visiter notre site Web à l'adresse
www.advancedelements.com
ou appelez le numéro sans frais 866 262-9076.**